



- **Multi-Media Storage Cabinets**
- **Computer Cabinets**
- **Secure Laptop/Notebook Cabinets**
- **Easy File Open System**
- **Easy File Cabinets**
- **Multi-Media Racks**
- **Multi-Media Cart & Cases**

At DDP, it is our goal to provide total solutions for storage and security of all platforms in the work place. Inside this current catalogue you will experience our standard product line that has grown and diversified as you, our customer, has changed your requirements. Many of our products are backward compatible, meaning the product you purchase now can be adapted to newer products from DDP in the future. With in house tool and die, fabrication, powder coat paint line and final assembly DDP controls all facets of production. DDP "Answering Technology with Solutions".

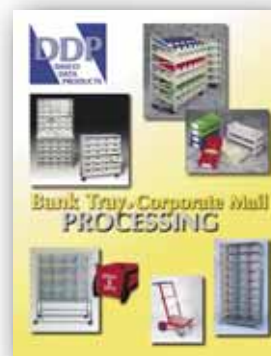
Since 1963, Dasco Data Products has been designing, engineering and producing the highest quality products that are available in the **Media & Systems** storage market. Our product line has exceeded the expectations of our clients time and time again. Dasco is well known in the international market as a "solutions provider" who is committed to providing innovation, quality and superior customer service to every client, every day.

No project is too large or too small for our engineering and design teams. With more than **40 years** experience, DDP can help you with your solution. Whether it is a custom or standard solution, DDP is committed to providing you with exactly what you want with the quality that you expect. Not only do we put the DDP name on our products as a sign of quality, we also back all DDP manufactured product with a **15 YEAR WARRANTY**.

Other Quality Products from Dasco Data Products Ltd. :



**Easy File
Systems**



**Bank Tray/
Corporate Mail
Processing**

For further information, questions or comments please contact us at dasco@dasco.com

Table of Contents

Multi-Media Storage Cabinets	Page 3,4
Cabinet Sizes & Finishes	Page 5
Multi-Media Components	Page 6,7,8
Secure Laptop/Notebook Cabinet	Page 9
Computer Cabinets	Page 10
Easy File Open System	Page 11
Easy File Cabinets	Page 12
Multi-Media Racks	Page 13
Multi-Media Cart & Cases	Page 14

FUJIFILM QUANTUM IBM
HP Verbatim Exabyte
Sony Maxell Imation

Dasco Data Products is a leader among computer media distributors in Canada. DDP does the shopping for you when it comes to name brands you depend on. With the ever changing currencies of the world computer media, like other commodities, fluctuates in cost and availability. DDP confirms name brand pricing every day with the manufacturers and distributors in order to give our clients the best and most current prices available each day. If you wish to receive current pricing of your preferred brand and format, on a monthly basis, please contact us by phone, fax or email.

LTO DLT DDS DVD
CDR 3490/3590 Optical

Whatever your media requirement may be, Dasco Data Products will provide you with the best service, price and attention at all times.

Multi-Media Storage Cabinets

The **DDP Multi-Media Cabinets** have been the quality standard in the industry for more than 25 years. No other cabinet can boast the **quality, durability, warranty or versatility** of the DDP Multi-Media Cabinet. The unique ALL STEEL bi-parting door glides with ease on our special **"aircraft cable track system"**. The cable system is guaranteed not to break, fray, rust or corrode for the life of the cabinet. Other features of DDP Multi-Media Cabinets include, 1/2" increment adjustment for all components, **heavy gauge steel** construction, lock & keys and powder coat paint finish for durability and great looks.



Multi-Media Storage Cabinets

All cabinets below are 36" wide x 22" deep and available in 6 standard heights.

Component Options: See pages 6,7 & 8 for your interior components such as **Multi-Media roll-out shelves, filing drawers, shelves, laptop inserts and much more.** ALL components are pre-installed exactly where you want them BEFORE your cabinet is shipped. See price guide for your set-up template.



Cabinet Sizes & Finishes

Available in six heights:

32" DDP # 050-00749
 O.D. 32"Hx36"Wx22"D
 Internal Usable Height 24.5"H
 (23"H when a roll-out component is used in the top position)

51" DDP # 050-00751
 O.D. 51"Hx36"Wx22"D
 Internal Usable Height 42.5"H
 (40.5"H when a roll-out component is used in the top position)

60" DDP # 050-00760
 O.D. 60"Hx36"Wx22"D
 Internal Usable Height 50.5"H
 (48.5"H when a roll-out component is used in the top position)

64" DDP # 050-00764
 O.D. 64"Hx36"Wx22"D
 Internal Usable Height 56"H
 (54"H when a roll-out component is used in the top position)

72" DDP # 050-00772
 O.D. 72"Hx36"Wx22"D
 Internal Usable Height 63"H
 (61"H when a roll-out component is used in the top position)

83" DDP # 050-00783
 O.D. 83"Hx36"Wx22"D
 Internal Usable Height 74"H
 (72.5"H when a roll-out component is used in the top position)



Standard Finishes



**Grey
Santex**



**Black
Santex**



**Beige
Santex**

Optional Door Finishes for use with BLACK shell. Door remains ALL Steel with designer laminate applied.



STERLING
 (Brushed Aluminum)
DDP #050-98000
 Shown on Front Cover



DESIGNER OAK
DDP #050-98010



GRANITE
DDP #050-98020



MAHOGANY
DDP #050-98030

Multi-Media Components

Multi-Media Roll-out Shelf

DDP #050-00706

Each drawer comes complete with (8) front to back dividers and (9) compressor/flip dividers. Using the DDP "star slot" system, you can easily customize the drawer to your application. Divide your drawer to store one or several media types by simply adjusting the dividers. Drawers are complete with heavy duty easy glide suspension arms for many years of service. For other media capacities not listed below please call DDP.

Capacity per drawer using one type of media:

Media	Capacity	Space Required per drawer
DLT/SDLT	78	5"
LTO	93	5"
4MM/DDS	225	3"
8MM	126	3.5"
3480/3490	99	5.5"
CD/DVD (jewel case)	195	6"
CD/DVD (slim case)	390	6"
VHS	52	5.5"
16mm Microfilm	99	4.5"
35mm Microfilm	60	4.5"



Plain Roll-out Shelf

DDP #050-00702 Space requirement: various

A strong versatile roll-out shelf to store just about anything. Laptops, storage trays, media boxes, parts etc... With a 125lb capacity there is very little you can't put on this shelf.



CD/DVD Roll-out Shelf (in jewel case)

DDP #050-00725 Space requirement: 6.0"

138 CD's or DVD's sit in their own slot on a slight angle to allow for finger flip filing. Each drawer comes complete with a CD/DVD insert that is removable and heavy duty easy glide suspension arms.

Note: 276/Slim line cases, 2 per slot.

Filing Bin Drawer

DDP #050-00704 Space requirement: 11.0"

(32.5"W x 16.125"D x 9.5"H)

Our bin drawer allows filing of letter and legal hanging folders. With the use of floating file bars, you can divide the drawer to hold letter and legal together or 2 rows of letter. File bars included.



Plain Shelf

DDP #050-00701

The plain shelf allows you to store ring binders, end tab file folders or anything else that requires a shelf. The optional back plate & 5 divider set **DDP #050-00713** to go with the plain shelf gives you the perfect file shelf. Dividers are adjustable in 1/2" increments.

Note: Heavy Duty Shelf also available **DDP# 050-00707**.

Back Plate & (5) Divider set

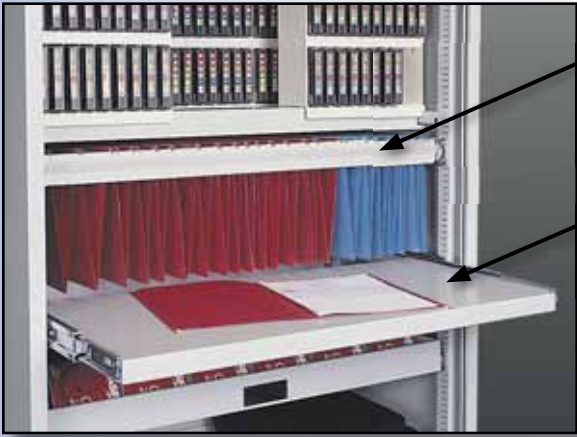
DDP #050-00713

Space requirement:

3-Ring Binders	13.5"
End Tab Ltr/Lgl	11.0"



Multi-Media Components



Roll-out Filing Frame

DDP #050-00780 Space requirement: 11.0"

Legal or Letter filing is made easy with our full suspension filing frame. Comes complete with horizontal file bar.

Roll-out Reference Shelf

DDP #050-00726 Space requirement: 2.5"

A reference shelf is the perfect option when access to your cabinet is frequent. Whether you are retrieving files or cartridges, a reference shelf is convenient to open and use as a work surface to hold files or to write on.



Mail Sorter Insert

DDP #050-09065 Space requirement: 13.5"

This sorter option allows you to sort and divide mail, documents and other stationery into as many as NINE legal depth slots. Each sorter comes complete with SIX adjustable shelves that can be positioned in 1/2" increments. Each of the three compartments are 10.33" W x 11.31" H x 15.87" D. Also complete with label holders and required hardware.



Media Bars

DDP #050-03480 Space requirement: 14" first row, 13" additional rows

Media Bars support specially designed removable pacs (see below) for 3480/3490, DLT and LTO. Fast and easy retrieval allows an operator to simply open the cabinet and remove a single cartridge or pac of cartridges. Maximum capacity per level is 5 pacs (3 rear/2 front). Front pacs slide to either side for access to rear pacs. Media bars and Pacs are sold individually.

Media Pacs

DLT / LTO Media Pacs (16 Capacity) **DDP #138-35225**

3480/3490 Media (20 Capacity) **DDP #134-00905**



Laptop/Notebook Secure 3-Compartment

DDP #050-00740 Space requirement: 5.0"

Each Laptop compartment securely stores (3) laptops/notebooks. Shown here are four 3-compartment units stacked together for a total of (12) individual compartments. Each individual compartment comes complete with its own private lock and keys and a label holder built in. Each individual compartment measures: 10.25"W x 12.75"D x 4.5"H.

Multi-Media Components

Heavy Duty Locker 3-Compartment

DDP #050-90031 Space requirement: 5"

3-Compartment insert allows storage of Firearms, Evidence or valuables. Heavy plate steel Doors with 3-point lock mechanism keeps the unwanted "out". All compartments are keyed different with a security abloy lock.



Laptop Security Insert

DDP #050-00748 Space requirement: 6"

Our security drawer holds TWO laptops in separate chambers and has room for power packs and other accessories. Private lock & keys for each chamber are included. Interior storage space for each chamber: 15.5"W x 14"D x 4"H. **ALSO AVAILABLE as a POWERED UNIT, SEE PAGE #11.**

Library Shelf c/w Plain Shelf

DDP #050-00727 Space requirement: 12.5"

This unique option allows you to DISPLAY your catalogues, literature, flyers etc. When the library shelf is lifted you can retrieve your properly stored printed materials from the storage shelf behind. The library shelf is installed on a 30 degree angle to display your materials neatly.



Security Locking Bars

DDP #050-00729

The security locking bars allow you the option of adding a padlock to your Multi-Media Cabinets. When you add security locking bars you make the cabinet **dual access** as well. When the key lock (standard on all cabinets) and pad lock are engaged it requires TWO separate keys to open your cabinet. Finish matched to the cabinet. (Padlock not included).

Note: Locking Bars reduce useable cabinet space by 1.0".



Caster Base

DDP #050-00714

Turning your Multi-Media Cabinet into a mobile unit can be done at any time. The height of your cabinet will increase by 5" overall. All four casters are heavy duty (2 fixed with locks/2 swivel). For safety, DDP recommends that you DO NOT put a cabinet over the height of **64"** on a caster base.



Secure Laptop/Notebook Cabinet

Secure Laptop/Notebook Cabinets - Fully Powered

DDP has specifically designed a fully powered cabinet to house up to (18) laptops/notebooks with internal power bars for charging. Laptop theft is on the rise in North America and the value of the computer is not what it costs but what it costs to replace. The Secure Laptop Cabinet takes you to a new level in protecting what you need to protect....your information. Cabinets come complete with an ALL STEEL tambour door, **lock (2 keys)** and power bar. For extra protection you can add a security locking bar (**DDP #050-00729**) that can accept a padlock. Each secure drawer has (2) private chambers that have separate lock #'s and keys. Each chamber also has its own power outlet and room for the power pack and accessories. Also as an option we offer a Bin Drawer (**DDP #050-00704**) that can be used for laptop bags, spare parts etc...



Above cabinet as shown:
(1)**DDP #050-00765** Powered Cabinet
c/w (9)**DDP #050-00747** Secure Laptop
Drawers.

Above cabinet as shown:
(1)**DDP #050-00765** Powered Cabinet
c/w (7)**DDP #050-00747** Secure Laptop
Drawers and (1)**DDP #050-00704** Bin
Storage Drawer.

OPTIONAL COMPONENTS

- Secure Laptop/Notebook
Drawer - see top right of page
DDP #050-00747 (powered)
- Bin Storage Drawer
DDP #050-00704 - see page 6



Laptop/Notebook Secure Roll-out Drawer
DDP #050-00747 (Powered) Space Required 6"

Cabinet Dimensions

DDP #050-00765 (powered)
O.D. 64.5" H x 36" W x 23.5" D
Internal useable height (54.5")

Standard Finish:

Black Santex

Optional Finish:

Grey Santex

Laptop Locker (Desk Mount)

The DDP LAPTOP LOCKER is designed to be mounted horizontal or vertical to the top or underside of virtually any workstation. Units come complete with an ABLOY 3-point lock mechanism for extra security and cable access to allow for power up during storage.

Units are also complete with an internal shelf/divider that is removable if required.

DDP #050-00170
O.D. 16.5"W x 15"D x 5.6"H
O.D. 15.4"W x 14"D x 4.5"H

Standard Finish:
Black Santex



Computer Cabinets

The **DDP PC-Stor** was designed for SECURITY, MOBILITY and FUNCTIONALITY. This all-steel cabinet comes complete with ONE perforated fixed shelf, ONE perforated roll-out shelf and ONE perforated keyboard shelf with left & right slide out mouse wings. Optional HEAVY DUTY casters make the complete package.

30"W PC-Stor Computer Cabinet



Also included:

- 6 Outlet power bar
- Secure cable entry in rear of cabinet
- Secure power supply cord
- All Steel Bi-Parting tambour door w/key lock
- Vented side panels

Shipped fully assembled (All welded "unit"). Internal components are shipped pre-installed and ready for use.

Standard Finish: Grey Santex

Optional Finish: Black Santex

New **ULTIMATE PC Cabinet** from DDP. Unit comes complete with (2) Monitor/Server Shelves, (1) Roll-out Printer/Server shelf, (1) Roll-out Keyboard shelf with retractable mouse wings. Other standard features such as a 550 CFM exhaust fan that engages automatically on door closure, rear cable entry, 6 outlet power strip, rear power supply cord, vented shelves and an all steel bi-parting tambour door with key lock. Internal components are shipped pre-installed.

Standard Finish: Beige Santex, Grey Santex, Black Santex

Options: Thermostat Control, Floor anchors, Caster Base, Security Padlock Bars

36" PC/Server Cabinet
(complete with fan)



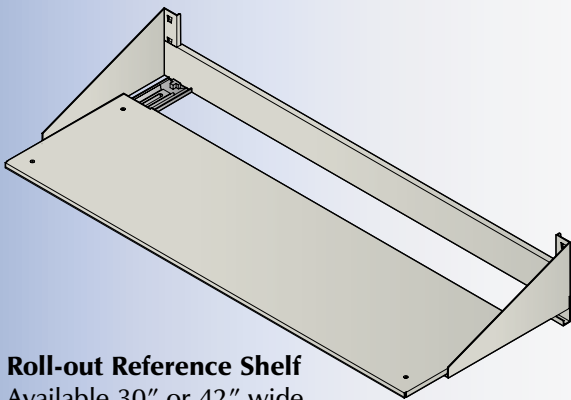
EASY FILE Open System



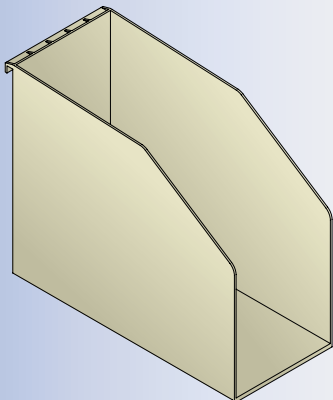
DDP "EASY FILE" Open System provides cost effective filing solutions that can expand as your filing requirement grows. Our "post & rail" system is designed for end tab files in **legal, letter or metric**. The 4" & 5" file boxes provide excellent portability and protection of your files. The system is available single sided or double sided, 45" & 33" wide starter units and 42" & 30" wide add-on's. Trim panels (top, bottom and end) are added to complete your Easy File System.

Standard Finish: London Fog

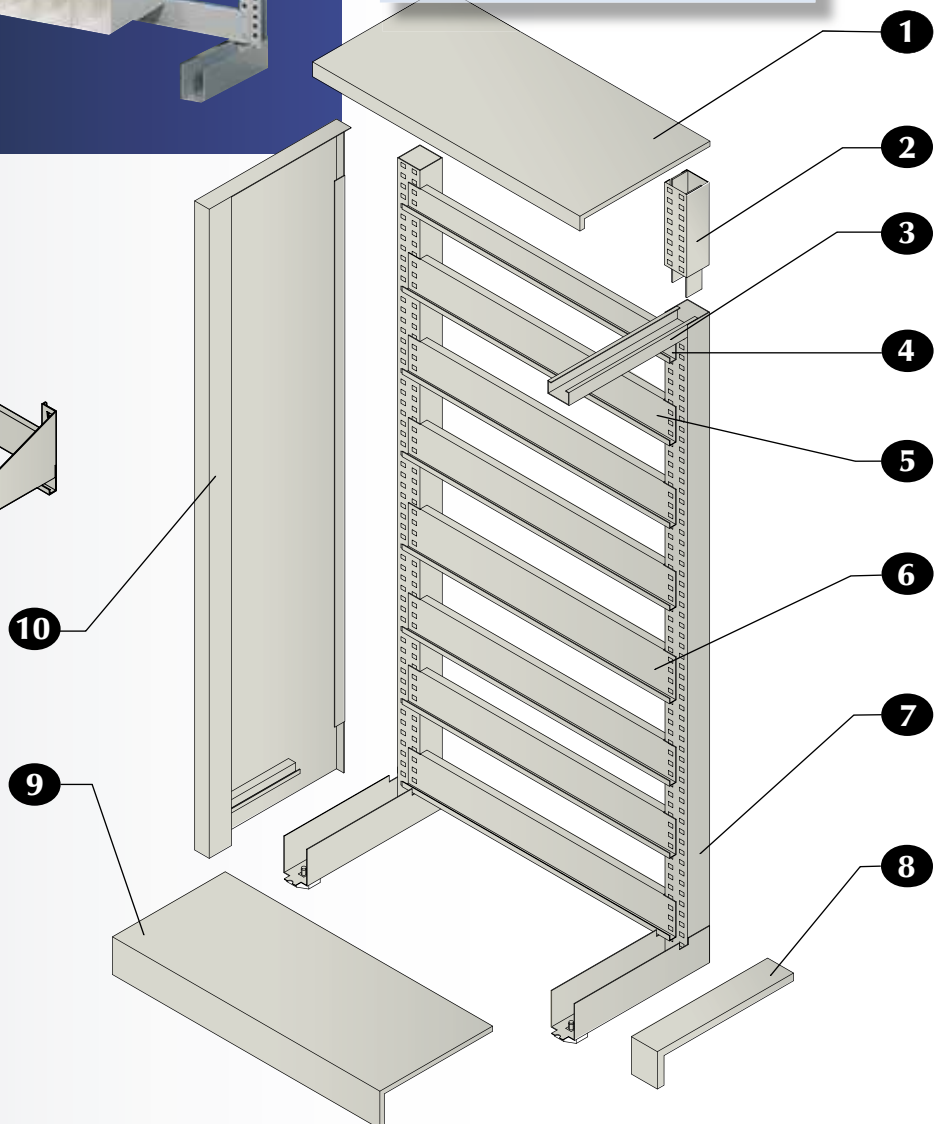
- 1 - Top Panel
- 2 - 4" Post Extension (for 8th level)
- 3 - Top Bracket
- 4 - Top Rail
- 5 - Standard Rail (6 per set)
- 6 - Wide Rail
- 7 - File Post
- 8 - Foot Cover
- 9 - Bottom Panel
- 10 - End Panel



Roll-out Reference Shelf
Available 30" or 42" wide



DDP - 4" & 5" High Impact File Box
Available in letter or legal size



EASY FILE Cabinets



DDP "EASY FILE" Cabinets are unsurpassed in workmanship and are the first choice when quality is the #1 issue. Each door "slides like silk" along the aluminum extrusion glides built into every level. Designed for storage of legal, letter and metric end-tab folders by using our 5" file box or file supports. Available in 4,5,6 & 7 level units for end tab filing and 5 level "XL" units for storage of files and 3-ring binders. All cabinets come complete with doors and ganglock.

Standard Finish: London Fog

Available in Five Styles:

DDP #053-00540	4 Level Cabinet (legal/letter)	51.64" H x 36" W x 17.25" D
DDP #053-00550	5 Level Cabinet (legal/letter)	63.25" H x 36" W x 17.25" D
DDP #053-00560	6 Level Cabinet (legal/letter)	78" H x 36" W x 17.25" D
DDP #053-00570	7 Level Cabinet (legal/letter)	86.5" H x 36" W x 17.25" D
DDP #053-00650	5 Level "XL" Cabinet (Binder Storage & Filing)	78" H x 36" W x 17.25" D

NOTE: When ordering above for LETTER SIZE filing, a letter adapter must be ordered for each level, **DDP #053-00582**.



File Box & File Supports

4" & 5" File boxes can be used to file in our cabinets if you require portability or using in conjunction with the post & rail system. File Supports are a terrific alternative to file boxes and keep your folders neat and organized.

4" File Boxes

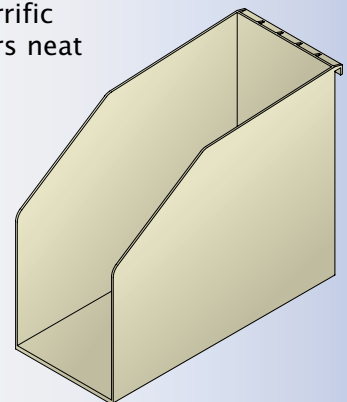
DDP #053-10078 **4" Letter Size**
 DDP #053-10079 **4" Legal Size**

5" File Boxes

DDP #053-10081 **5" Letter Size**
 DDP #053-10082 **5" Legal Size**

File Supports

DDP #053-00580 **File Support Legal/Letter**



Multi-Media Racks

Multi-Media Racks

DDP Multi-Media Racks are available in **TWO** heights, **54"** & **84"** and **Single** or **Double** sided. Each Multi-Media shelf **DDP #048-00115** is adjustable in 1" increments and comes with 2 adjustable dividers. DDP Multi-Media Racks are 32.5" wide. When adding on to the left or right a common post is used. **Standard Finish:** Black Santex



54" & 84" Components

- #048-00101 54" Single sided post
- #048-00103 54" Double sided post
- #048-00100 84" Single sided post
- #048-00102 84" Double sided post
- #048-00145 Joiner bars 32" set of (2)
*ONE set of Joiner bars MUST be ordered for each 32.5" section.
- #048-00115 Multi-Media Shelf 32" c/w (2)dividers.
4"H x 32"W x 5"D
- #048-00155 Additional shelf dividers

Media	Capacity per Multi-Media Shelf	Space Required
DLT/SDLT (in case)	25	6"
LTO/LTO2 (in case)	30	6"
CD/DVD (jewel case)	78	7"
CD/DVD (slim case)	156	7"
4MM	52	5"
8MM	40	5"
VHS (sleeve or case)	30	9"
Optical 5.25"	45	7"
3480/3490/3590	32	6"
16MM FILM	32	5"
35MM FILM	20	5"

Note: Other media capacities available.



Multi-Media Wall Rack

DDP #048-00180 (34" H x 33.75" W x 9.75" D)

Our new Wall Mount Rack gives you the ability to store different media without taking up valuable floor space. Each unit comes complete with (5) shelves, (2) uprights and (1) set of wall mountable joiners. The joiners are pre-set to allow for 12", 16" or 24" stud centres. **Standard Finish:** Black Santex

Maximum Capacity per Wall Rack

DLT	125
LTO/LTO2	150
CD/DVD (jewel case)	390
CD/DVD (Slim Line)	780
3480/3490/3590	160
4MM	260
8MM	200
OPTICAL 5.25"	225
16MM FILM	160
35MM FILM	100

Note: Other media capacities available.

Multi-Media Cart & Cases

Multi-Media Mobile Cart

DDP #050-48000 45"H x 41"W (including handles) x 29.5"D

The DDP Mobile Cart comes complete with a total of (8) Media shelves and (16) Dividers. Manufactured with quality and durability in mind the DDP Media Cart comes complete with heavy duty casters and corner bumpers. The Multi-Media shelves are adjustable in 1" increments. The capacities per shelf are the same as Multi-Media shelves **DDP #048-00115** on page 13.

Note: Inside useable space is 38.5".

Standard Finish:

Black Santex

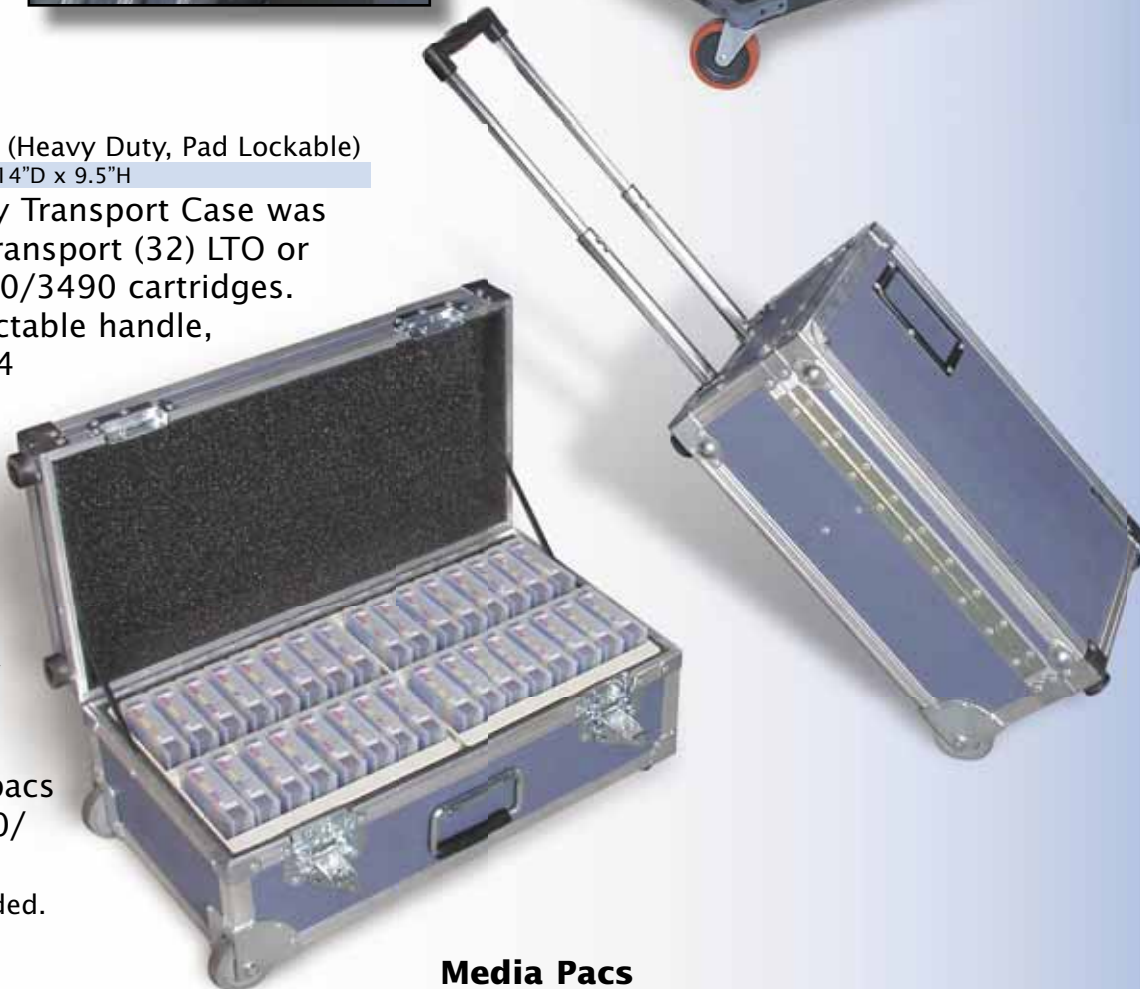


Transport Case (Heavy Duty, Pad Lockable)

DDP #002-92040 25.5"W x 14"D x 9.5"H

Our NEW Heavy-Duty Transport Case was designed to safely transport (32) LTO or (32) DLT or (40) 3480/3490 cartridges. Complete with retractable handle, heavy duty wheels, 4 rubber bumpers, label holder and high density foam lining. The case also comes complete with STEEL hinges, hasps and a carry handle. Simply order the case with (2) specifically designed cartridge pacs for LTO, DLT or 3480/3490.

Note: Padlock not included.



Standard Finish: Silver Blue, as shown.
Optional Finishes available, ask for details.

Media Pacs

DLT/LTO Pac

3480/3490 Pac

16 Capacity **DDP #138-35225**

20 Capacity **DDP #134-00905**

Note: You may also combine one of each pac.

Dasco Data Products (Head Office)

346 Orenda Road
Brampton, ON, L6T 1G1
PH: (905)792-7080 FAX: (905)792-9166
TOLL FREE: (800)387-2468

Dasco Data Products/Altech

C104-19770-94A Ave.,
Langley, BC, V1M 3B7
PH: (604)881-8883 FAX: (604)881-8885
TOLL FREE: (800)665-1181

Dasco Data Products

209-8180 MacLeod Trail S.E.
Calgary, AB, T2H 2B8
PH: (403)259-3807 FAX: (403)253-3734
TOLL FREE: (877)259-3807

Dasco Data Products

5415 Vanden Abeele
St. Laurent, PQ, H4S 1S1
PH: (514)333-3395 FAX: (514)339-5481
TOLL FREE: (800)363-1873

Dasco Data Products

2485 Lancaster Rd, # 14
Ottawa, ON, K1B 4L5
PH: (613)738-5064 FAX: (613)731-2827

Website: www.dascodata.com
Email: dasco@dascodata.com
Canada Toll Free: 1-800-387-2468